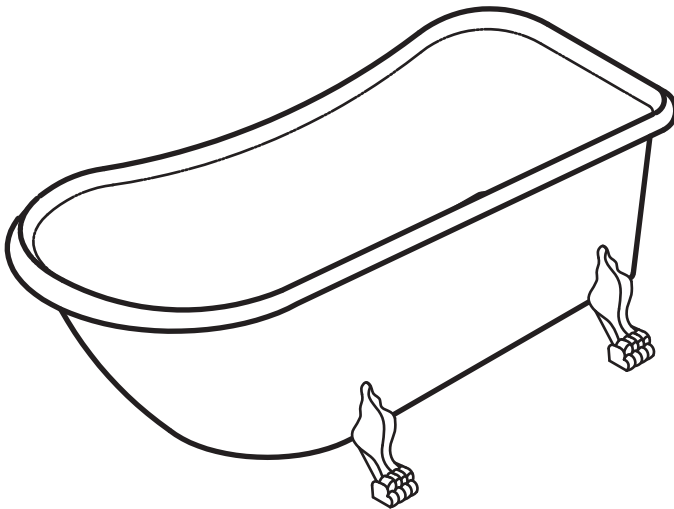


TASS



CE EN 14516:2006+A1:2010



bathlife®

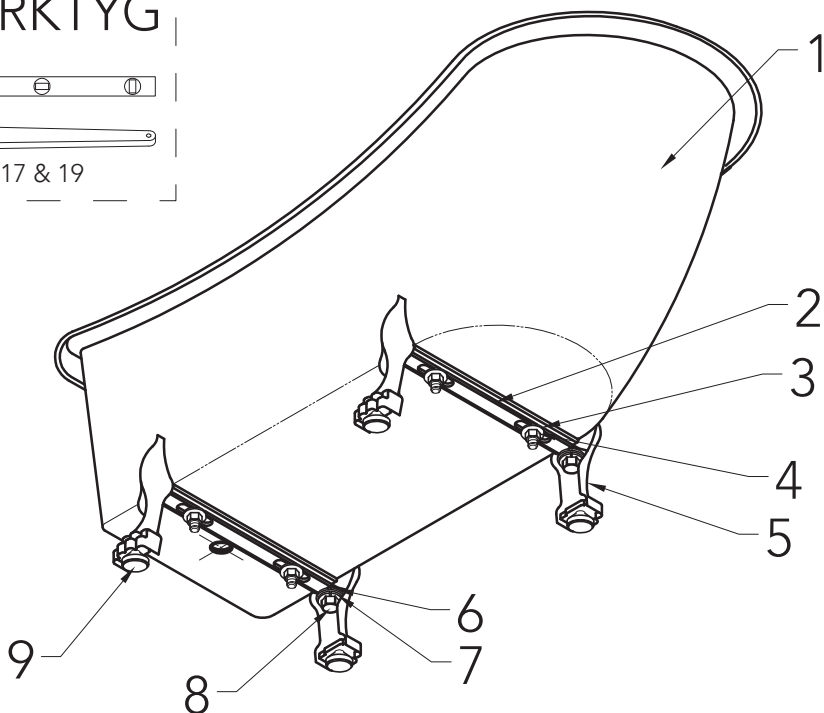
OF SWEDEN

© 2016


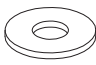
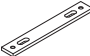


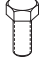



VERKTYG



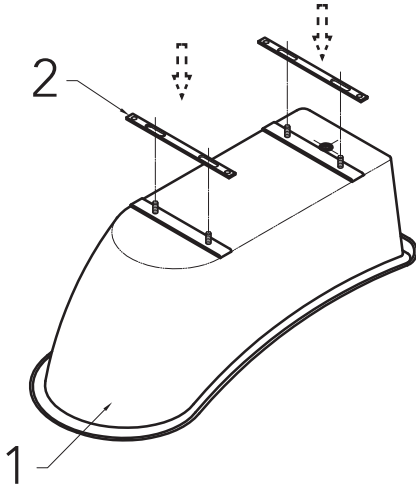
17 & 19



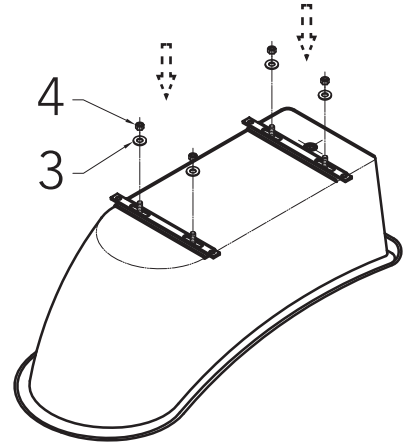
KOMPONENTER

- | | | | | | |
|---|---|--------------------|---|---|---------------------|
| 1 |  | x 1 Kar | 6 |  | x 4 Bricka (ø12mm) |
| 2 |  | x 2 Stålpanel | 7 |  | x 4 Låsbricka |
| 3 |  | x 4 Bricka (ø10mm) | 8 |  | x 4 Bult (M12x25mm) |
| 4 |  | x 4 Mutter (M10) | 9 |  | x 4 Fot (justerbar) |
| 5 |  | x 4 Tass | | | |

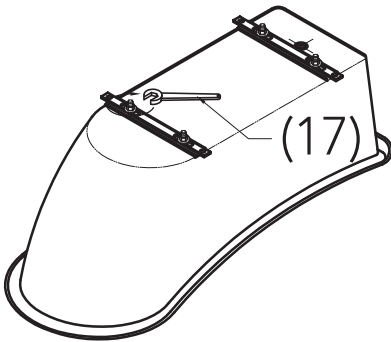
1



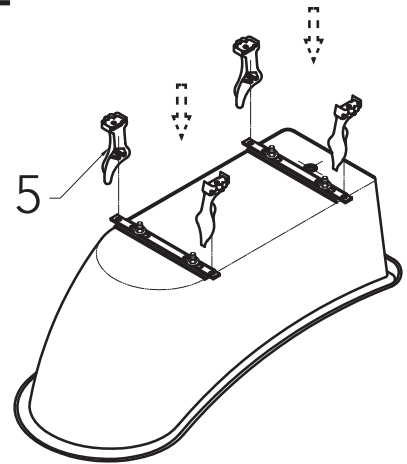
2



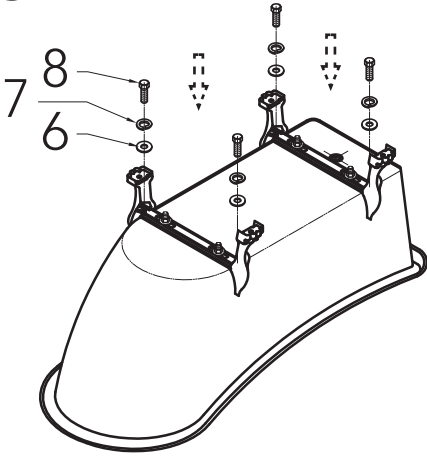
3



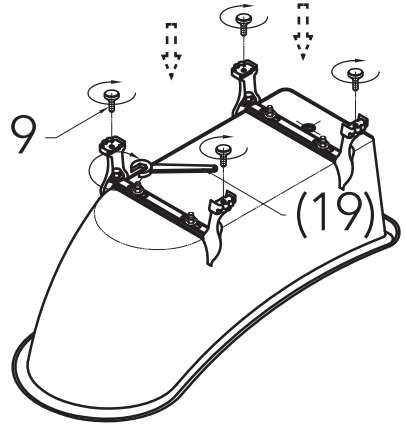
4



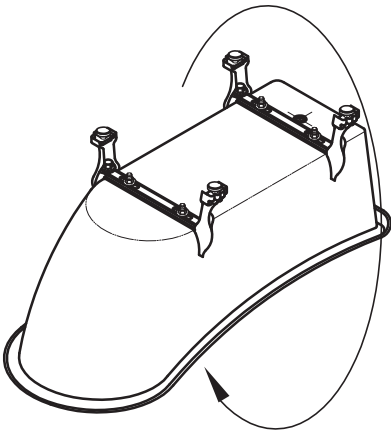
5



6



7



8

